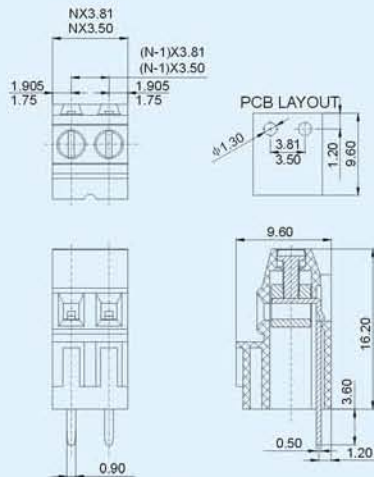




DG381H-3.5
DG381H-3.81



Pitch: 3.5mm, 3.81mm; Poles: 2P, 3P~24P

Material

Screws : M2 steel Zinc plated
Pin header : Brass, Tin plated
Housing : PA66, UL94V-0

Electrical

Rated voltage : 150V
Rated current : 10A
Contact resistance : 20mΩ
Insulation resistance: 5000MΩ/DC1000V
Withstanding voltage: AC2000V/1Min
Wire range : 26-16AWG 1.5mm²

Mechanical

Temp. Range : -40°C~+105°C
Torque : 0.2Nm(1.7lb.in)
Strip length : 5-6mm

材质及电镀

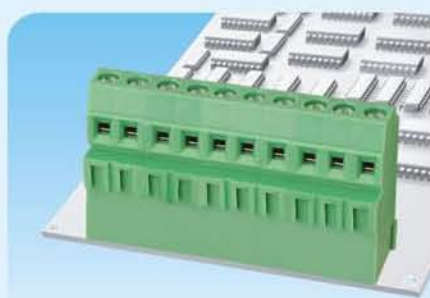
螺丝 : M2, 钢, 镀锌
焊针 : 黄铜, 镀锡
塑件 : PA66, UL94V-0

电气性能

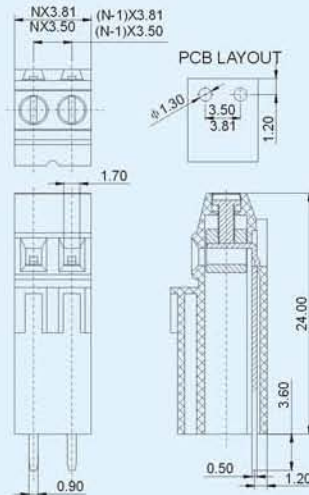
额定电压 : 150V
额定电流 : 10A
接触电阻 : 20mΩ
绝缘电阻 : 5000MΩ/DC1000V
耐电压 : AC2000V/1Min
使用线径 : 26-16AWG 1.5mm²

机械性能

温度范围 : -40°C~+105°C
扭矩 : 0.2Nm(1.7lb.in)
剥线长度 : 5-6mm



DG381HH-3.5
DG381HH-3.81



Pitch: 3.5mm, 3.81mm; Poles: 2P, 3P~24P

Material

Screws : M2 steel Zinc plated
Pin header : Brass, Tin plated
Housing : PA66, UL94V-0

Electrical

Rated voltage : 300V
Rated current : 10A
Contact resistance : 20mΩ
Insulation resistance: 5000MΩ/DC1000V
Withstanding voltage: AC2000V/1Min
Wire range : 26-16AWG 1.5mm²

Mechanical

Temp. Range : -40°C~+105°C
Torque : 0.2Nm(1.7lb.in)
Strip length : 5-6mm

材质及电镀

螺丝 : M2, 钢, 镀锌
焊针 : 黄铜, 镀锡
塑件 : PA66, UL94V-0

电气性能

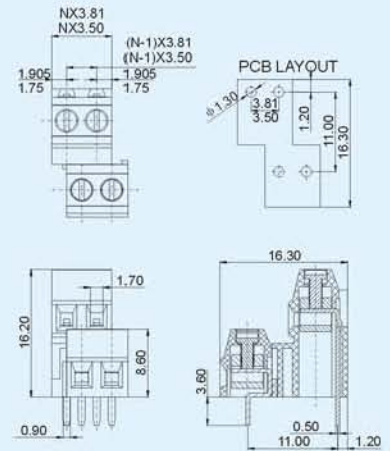
额定电压 : 300V
额定电流 : 10A
接触电阻 : 20mΩ
绝缘电阻 : 5000MΩ/DC1000V
耐电压 : AC2000V/1Min
使用线径 : 26-16AWG 1.5mm²

机械性能

温度范围 : -40°C~+105°C
扭矩 : 0.2Nm(1.7lb.in)
剥线长度 : 5-6mm



DG381A-3.5
DG381A-3.81



Pitch: 3.5mm, 3.81mm; Poles: 2*(2P, 3P~24P)

Material

Screws : M2 steel Zinc plated
Pin header : Brass, Tin plated
Housing : PA66, UL94V-0

Electrical

Rated voltage : 150V
Rated current : 10A
Contact resistance : 20mΩ
Insulation resistance: 5000MΩ/DC1000V
Withstanding voltage: AC2000V/1Min
Wire range : 26-16AWG 1.5mm²

Mechanical

Temp. Range : -40°C~+105°C
Torque : 0.2Nm(1.7lb.in)
Strip length : 5-6mm

材质及电镀

螺丝 : M2, 钢, 镀锌
焊针 : 黄铜, 镀锡
塑件 : PA66, UL94V-0

电气性能

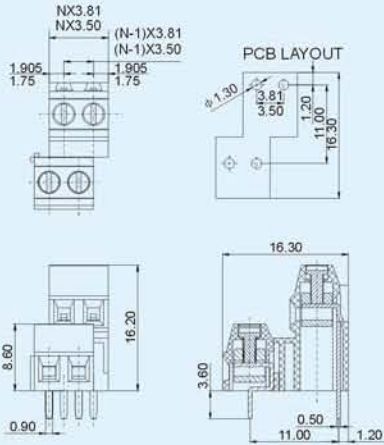
额定电压 : 150V
额定电流 : 10A
接触电阻 : 20mΩ
绝缘电阻 : 5000MΩ/DC1000V
耐电压 : AC2000V/1Min
使用线径 : 26-16AWG 1.5mm²

机械性能

温度范围 : -40°C~+105°C
扭矩 : 0.2Nm(1.7lb.in)
剥线长度 : 5-6mm



DG381B-3.5
DG381B-3.81



Pitch: 3.5mm, 3.81mm; Poles: 2* (2P, 3P~24P)

Material

Screws : M2 steel Zinc plated
Pin header : Brass, Tin plated
Housing : PA66, UL94V-0

Electrical

Rated voltage : 150V
Rated current : 10A
Contact resistance : 20m Ω
Insulation resistance: 5000M Ω /DC1000V
Withstanding voltage: AC2000V/1Min
Wire range : 26-16AWG 1.5mm²

Mechanical

Temp. Range : -40°C~+105°C
Torque : 0.2Nm(1.7lb.in)
Strip length : 5-6mm

材质及电镀

螺丝 : M2, 钢, 镀锌
焊针 : 黄铜, 镀锡
塑件 : PA66, UL94V-0

电气性能

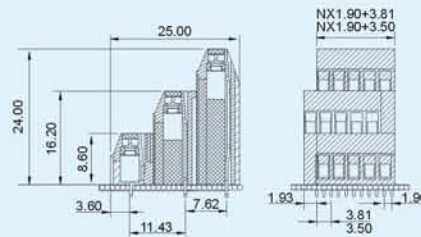
额定电压 : 150V
额定电流 : 10A
接触电阻 : 20m Ω
绝缘电阻 : 5000M Ω /DC1000V
耐电压 : AC2000V/1Min
使用线径 : 26-16AWG 1.5mm²

机械性能

温度范围 : -40°C~+105°C
扭矩 : 0.2Nm(1.7lb.in)
剥线长度 : 5-6mm



DG381A3-3.5
DG381A3-3.81



Pitch: 3.5mm, 3.81mm; Poles: 3* (2P, 3P~24P)

Material

Screws : M2 steel Zinc plated
Pin header : Brass, Tin plated
Housing : PA66, UL94V-0

Electrical

Rated voltage : 150V
Rated current : 10A
Contact resistance : 20m Ω
Insulation resistance: 5000M Ω /DC1000V
Withstanding voltage: AC2000V/1Min
Wire range : 26-16AWG 1.5mm²

Mechanical

Temp. Range : -40°C~+105°C
Torque : 0.2Nm(1.7lb.in)
Strip length : 5-6mm

材质及电镀

螺丝 : M2, 钢, 镀锌
焊针 : 黄铜, 镀锡
塑件 : PA66, UL94V-0

电气性能

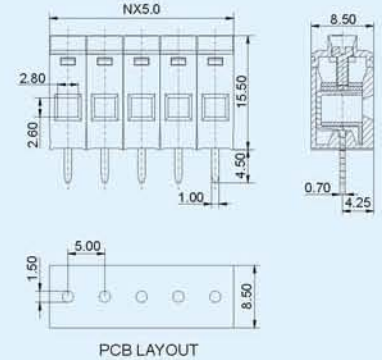
额定电压 : 150V
额定电流 : 10A
接触电阻 : 20m Ω
绝缘电阻 : 5000M Ω /DC1000V
耐电压 : AC2000V/1Min
使用线径 : 26-16AWG 1.5mm²

机械性能

温度范围 : -40°C~+105°C
扭矩 : 0.2Nm(1.7lb.in)
剥线长度 : 5-6mm



DG632-5.0



Pitch: 5.0mm; Poles: 2P~20P

Material

Screws : M2.5 steel Zinc plated
Pin header : Brass, Tin plated
Housing : PA66, UL94V-0

Electrical

Rated voltage : 300V
Rated current : 22A
Contact resistance : 20m Ω
Insulation resistance: 1000M Ω /DC500V
Withstanding voltage: AC2000V/1Min
Withstanding voltage: 30-12AWG 2.5mm²

Mechanical

Temp. Range : -40°C~+105°C
Torque : 0.4Nm(3.6lb.in)
Strip length : 5-6mm

材质及电镀

螺丝 : M2.5, 钢, 镀锌
焊针 : 黄铜, 镀锡
塑件 : PA66, UL94V-0

电气性能

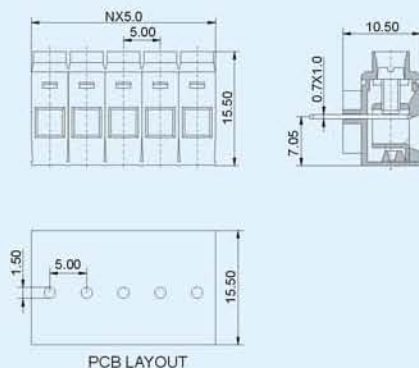
额定电压 : 300V
额定电流 : 22A
接触电阻 : 20m Ω
绝缘电阻 : 1000M Ω /DC500V
耐电压 : AC2000V/1Min
使用线径 : 30-12AWG 2.5mm²

机械性能

温度范围 : -40°C~+105°C
扭矩 : 0.4Nm(3.6lb.in)
剥线长度 : 5-6mm



DG632R-5.0



Pitch:5.0mm;Poles:2P~20P

Material

Screws : M2.5 steel Zinc plated
Pin header: Brass, Tin plated
Housing : PA66,UL94V-0

Electrical

Rated voltage : 300V
Rated current : 22A
Contact resistance : 20mΩ
Insulation resistance: 1000MΩ /DC500V
Withstanding voltage: AC2000V/1Min
Withstanding voltage: 30-12AWG 2.5mm²

Mechanical

Temp.Range : -40°C~+105°C
Torque : 0.4Nm(3.6lb.in)
Strip length : 5-6mm

材质及电镀

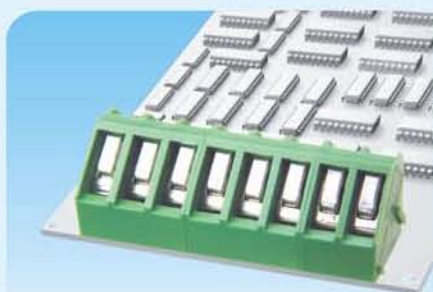
螺丝 : M2.5, 钢, 镀锌
焊针 : 黄铜, 镀锡
塑件 : PA66, UL94V-0

电气性能

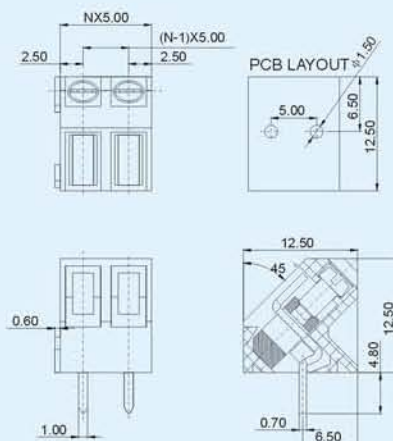
额定电压 : 300V
额定电流 : 22A
接触电阻 : 20mΩ
绝缘电阻 : 1000MΩ /DC500V
耐电压 : AC2000V/1Min
使用线径 : 30-12AWG 2.5mm²

机械性能

温度范围 : -40°C~+105°C
扭矩 : 0.4Nm(3.6lb.in)
剥线长度 : 5-6mm



DG330-5.0



Pitch:5.0mm;Poles:2P,3P~24P

Material

Screws : M2.5 steel Zinc plated
Pin header: Brass, Tin plated
Housing : PA66, UL94V-0

Electrical

Rated voltage : 300V
Rated current : 15A
Contact resistance : 20mΩ
Insulation resistance: 5000MΩ /DC1000V
Withstanding voltage: AC2000V/1Min
Wire range : 22-12AWG 2.5mm²

Mechanical

Temp.Range : -40°C~+105°C
Torque : 0.4Nm(3.6lb.in)
Strip length : 4.5-5mm

材质及电镀

螺丝 : M2.5, 钢, 镀锌
焊针 : 黄铜, 镀锡
塑件 : PA66, UL94V-0

电气性能

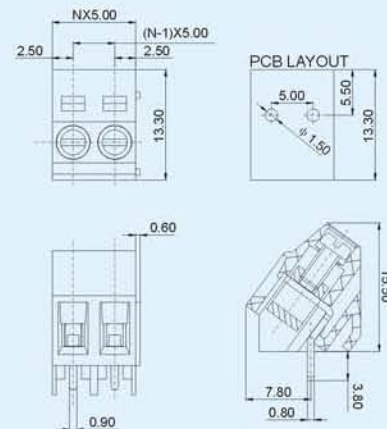
额定电压 : 300V
额定电流 : 15A
接触电阻 : 20mΩ
绝缘电阻 : 5000MΩ /DC1000V
耐电压 : AC2000V/1Min
使用线径 : 22-12AWG 2.5mm²

机械性能

温度范围 : -40°C~+105°C
扭矩 : 0.4Nm(3.6lb.in)
剥线长度 : 4.5-5mm



DG103-5.0



Pitch:5.0mm;Poles:2P,3P~24P

Material

Screws : M2.5 steel Zinc plated
Pin header: Brass, Tin plated
Housing : PA66, UL94V-0

Electrical

Rated voltage : 300V
Rated current : 10A
Contact resistance : 20mΩ
Insulation resistance: 5000MΩ /DC1000V
Withstanding voltage: AC2000V/1Min
Wire range : 24-12AWG 2.5mm²

Mechanical

Temp.Range : -40°C~+105°C
Torque : 0.4Nm(3.6lb.in)
Strip length : 6-7mm

材质及电镀

螺丝 : M2.5, 钢, 镀锌
焊针 : 黄铜, 镀锡
塑件 : PA66, UL94V-0

电气性能

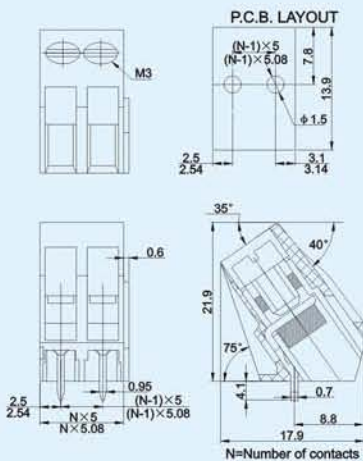
额定电压 : 300V
额定电流 : 10A
接触电阻 : 20mΩ
绝缘电阻 : 5000MΩ /DC1000V
耐电压 : AC2000V/1Min
使用线径 : 24-12AWG 2.5mm²

机械性能

温度范围 : -40°C~+105°C
扭矩 : 0.4Nm(3.6lb.in)
剥线长度 : 6-7mm



DG104-5.0
DG104-5.08



Pitch: 5.0mm, 5.08mm; Poles: 2P, 3P~24P

● **Material**

Screws : M3 steel Zinc plated
Pin header : Brass, Tin plated
Housing : PA66, UL94V-0

● **Electrical**

Rated voltage : 300V
Rated current : 15A
Contact resistance : 20m Ω
Insulation resistance: 5000M Ω / DC1000V
Withstanding voltage: AC2000V/1Min
Wire range : 24-14AWG 2.5mm²

● **Mechanical**

Temp. Range : -40°C~+105°C
Torque : 0.5Nm(4.5lb.in)
Strip length : 6-7mm

● **材质及电镀**

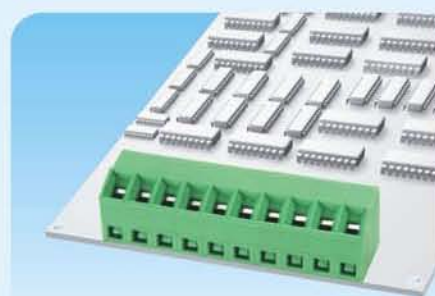
螺丝 : M3, 钢, 镀锌
焊针 : 黄铜, 镀锡
塑件 : PA66, UL94V-0

● **电气性能**

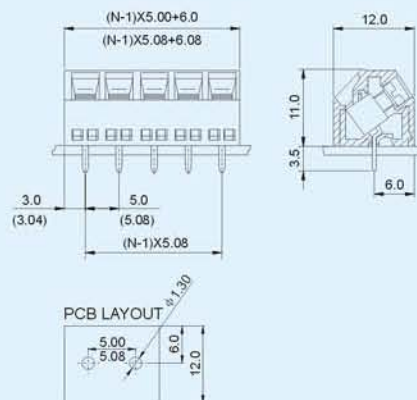
额定电压 : 300V
额定电流 : 15A
接触电阻 : 20m Ω
绝缘电阻 : 5000M Ω / DC1000V
耐电压 : AC2000V/1Min
使用线径 : 24-14AWG 2.5mm²

● **机械性能**

温度范围 : -40°C~+105°C
扭矩 : 0.5Nm(4.5lb.in)
剥线长度 : 6-7mm



DG127S-5.0
DG127S-5.08



Pitch: 5.0mm, 5.08mm; Poles: 2P, 3P~24P

● **Material**

Screws : M2.5 steel Zinc plated
Pin header : Brass, Tin plated
Housing : PA66, UL94V-0

● **Electrical**

Rated voltage : 300V
Rated current : 12A
Contact resistance : 20m Ω
Insulation resistance: 5000M Ω / DC1000V
Withstanding voltage: AC2000V/1Min
Wire range : 26-14AWG 1.5mm²

● **Mechanical**

Temp. Range : -40°C~+105°C
Torque : 0.4Nm(3.6lb.in)
Strip length : 5-6mm

● **材质及电镀**

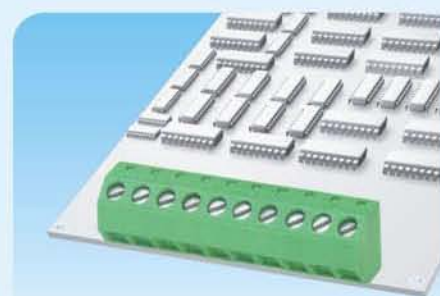
螺丝 : M2.5, 钢, 镀锌
焊针 : 黄铜, 镀锡
塑件 : PA66, UL94V-0

● **电气性能**

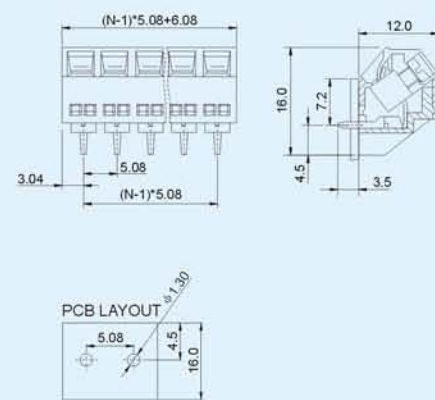
额定电压 : 300V
额定电流 : 12A
接触电阻 : 20m Ω
绝缘电阻 : 5000M Ω / DC1000V
耐电压 : AC2000V/1Min
使用线径 : 26-14AWG 1.5mm²

● **机械性能**

温度范围 : -40°C~+105°C
扭矩 : 0.4Nm(3.6lb.in)
剥线长度 : 5-6mm



DG127SF-5.08



Pitch: 5.08mm; Poles: 2P, 3P~24P

● **Material**

Screws : M2.5 steel Zinc plated
Pin header : Brass, Tin plated
Housing : PA66, UL94V-0

● **Electrical**

Rated voltage : 300V
Rated current : 12A
Contact resistance : 20m Ω
Insulation resistance: 5000M Ω / DC1000V
Withstanding voltage: AC2000V/1Min
Wire range : 26-14AWG 1.5mm²

● **Mechanical**

Temp. Range : -40°C~+105°C
Torque : 0.4Nm(3.6lb.in)
Strip length : 5-6mm

● **材质及电镀**

螺丝 : M2.5, 钢, 镀锌
焊针 : 黄铜, 镀锡
塑件 : PA66, UL94V-0

● **电气性能**

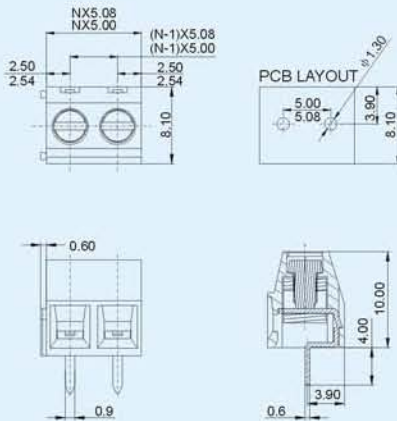
额定电压 : 300V
额定电流 : 12A
接触电阻 : 20m Ω
绝缘电阻 : 5000M Ω / DC1000V
耐电压 : AC2000V/1Min
使用线径 : 26-14AWG 1.5mm²

● **机械性能**

温度范围 : -40°C~+105°C
扭矩 : 0.4Nm(3.6lb.in)
剥线长度 : 5-6mm



DG127-5.0 DG127-5.08
DG127-7.5 DG127-7.62



Pitch: 5.0mm, 5.08mm, 7.5mm, 7.62mm;
Poles: 2P, 3P~24P

Material

Screws : M2.5 steel Zinc plated
Pin header : Brass, Tin plated
Housing : PA66, UL94V-0

Electrical

Rated voltage : 300V
Rated current : 12A
Contact resistance : 20mΩ
Insulation resistance: 5000MΩ / DC1000V
Withstanding voltage: AC2000V/1Min
Wire range : 26-14AWG 1.5mm²

Mechanical

Temp. Range : -40°C~+105°C
Torque : 0.4Nm(3.6lb.in)
Strip length : 5-6mm

材质及电镀

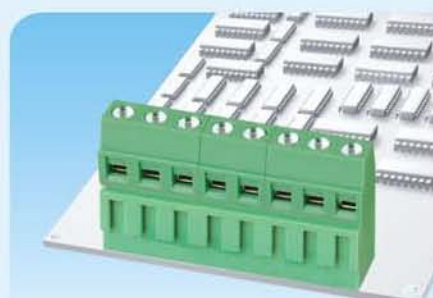
螺丝 : M2.5, 钢, 镀锌
焊针 : 黄铜, 镀锡
塑件 : PA66, UL94V-0

电气性能

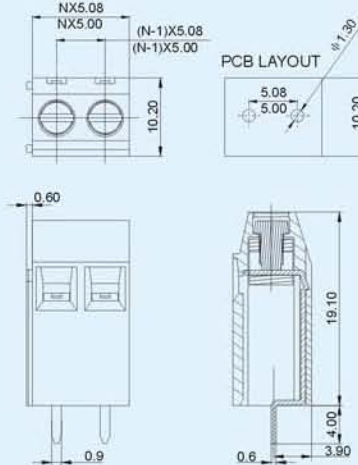
额定电压 : 300V
额定电流 : 12A
接触电阻 : 20mΩ
绝缘电阻 : 5000MΩ / DC1000V
耐电压 : AC2000V/1Min
使用线径 : 26-14AWG 1.5mm²

机械性能

温度范围 : -40°C~+105°C
扭矩 : 0.4Nm(3.6lb.in)
剥线长度 : 5-6mm



DG127H-5.0
DG127H-5.08



Pitch: 5.0mm, 5.08mm; Poles: 2P, 3P~24P

Material

Screws : M2.5 steel Zinc plated
Pin header : Brass, Tin plated
Housing : PA66, UL94V-0

Electrical

Rated voltage : 300V
Rated current : 12A
Contact resistance : 20mΩ
Insulation resistance: 5000MΩ / DC1000V
Withstanding voltage: AC2000V/1Min
Wire range : 26-14AWG 1.5mm²

Mechanical

Temp. Range : -40°C~+105°C
Torque : 0.4Nm(3.6lb.in)
Strip length : 5-6mm

材质及电镀

螺丝 : M2.5, 钢, 镀锌
焊针 : 黄铜, 镀锡
塑件 : PA66, UL94V-0

电气性能

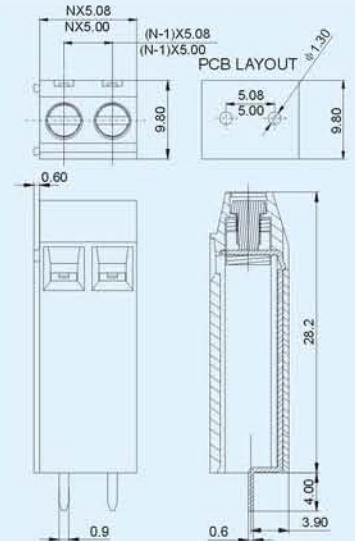
额定电压 : 300V
额定电流 : 12A
接触电阻 : 20mΩ
绝缘电阻 : 5000MΩ / DC1000V
耐电压 : AC2000V/1Min
使用线径 : 26-14AWG 1.5mm²

机械性能

温度范围 : -40°C~+105°C
扭矩 : 0.4Nm(3.6lb.in)
剥线长度 : 5-6mm



DG127HH-5.0
DG127HH-5.08



Pitch: 5.0mm, 5.08mm; Poles: 2P, 3P~24P

Material

Screws : M2.5 steel Zinc plated
Pin header : Brass, Tin plated
Housing : PA66, UL94V-0

Electrical

Rated voltage : 300V
Rated current : 12A
Contact resistance : 20mΩ
Insulation resistance: 5000MΩ / DC1000V
Withstanding voltage: AC2000V/1Min
Wire range : 26-14AWG 1.5mm²

Mechanical

Temp. Range : -40°C~+105°C
Torque : 0.4Nm(3.6lb.in)
Strip length : 5-6mm

材质及电镀

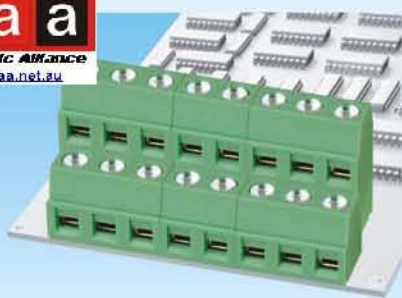
螺丝 : M2.5, 钢, 镀锌
焊针 : 黄铜, 镀锡
塑件 : PA66, UL94V-0

电气性能

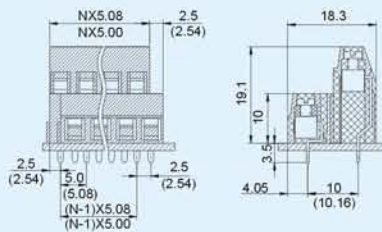
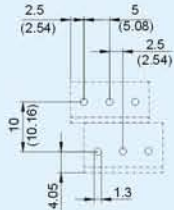
额定电压 : 300V
额定电流 : 12A
接触电阻 : 20mΩ
绝缘电阻 : 5000MΩ / DC1000V
耐电压 : AC2000V/1Min
使用线径 : 26-14AWG 1.5mm²

机械性能

温度范围 : -40°C~+105°C
扭矩 : 0.4Nm(3.6lb.in)
剥线长度 : 5-6mm



DG127A-5.0
DG127A-5.08



Pitch:5.0mm,5.08mm;Poles:2*(2P,3P~24P)

● **Material**

Screws : M2.5 steel Zinc plated
Pin header : Brass, Tin plated
Housing : PA66, UL94V-0

● **Electrical**

Rated voltage : 300V
Rated current : 12A
Contact resistance : 20mΩ
Insulation resistance: 5000MΩ /DC1000V
Withstanding voltage: AC2000V/1Min
Wire range : 26-14AWG 1.5mm²

● **Mechanical**

Temp.Range : -40°C~+105°C
Torque : 0.4Nm(3.6lb.in)
Strip length : 5-6mm

● **材质及电镀**

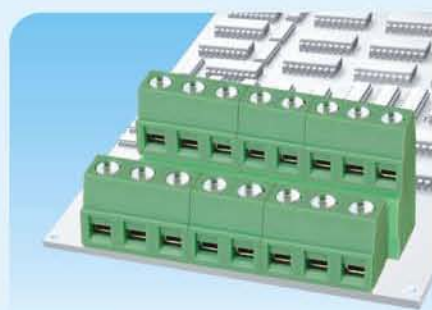
螺丝 : M2.5, 钢, 镀锌
焊针 : 黄铜, 镀锡
塑件 : PA66, UL94V-0

● **电气性能**

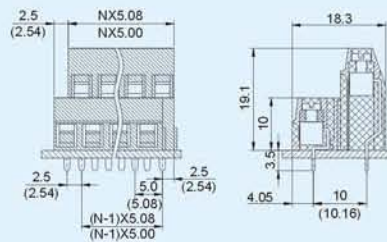
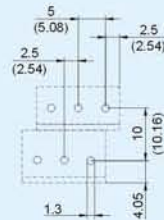
额定电压 : 300V
额定电流 : 12A
接触电阻 : 20mΩ
绝缘电阻 : 5000MΩ /DC1000V
耐电压 : AC2000V/1Min
使用线径 : 26-14AWG 1.5mm²

● **机械性能**

温度范围 : -40°C~+105°C
扭矩 : 0.4Nm(3.6lb.in)
剥线长度 : 5-6mm



DG127B-5.0
DG127B-5.08



Pitch:5.0mm,5.08mm;Poles:2*(2P,3P~24P)

● **Material**

Screws : M2.5 steel Zinc plated
Pin header : Brass, Tin plated
Housing : PA66, UL94V-0

● **Electrical**

Rated voltage : 300V
Rated current : 12A
Contact resistance : 20mΩ
Insulation resistance: 5000MΩ /DC1000V
Withstanding voltage: AC2000V/1Min
Wire range : 26-14AWG 1.5mm²

● **Mechanical**

Temp.Range : -40°C~+105°C
Torque : 0.4Nm(3.6lb.in)
Strip length : 5-6mm

● **材质及电镀**

螺丝 : M2.5, 钢, 镀锌
焊针 : 黄铜, 镀锡
塑件 : PA66, UL94V-0

● **电气性能**

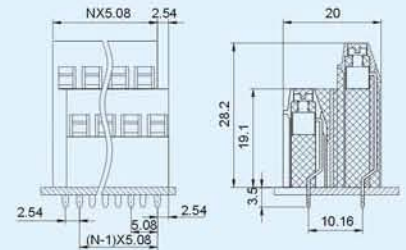
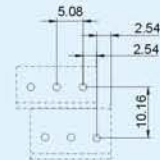
额定电压 : 300V
额定电流 : 12A
接触电阻 : 20mΩ
绝缘电阻 : 5000MΩ /DC1000V
耐电压 : AC2000V/1Min
使用线径 : 26-14AWG 1.5mm²

● **机械性能**

温度范围 : -40°C~+105°C
扭矩 : 0.4Nm(3.6lb.in)
剥线长度 : 5-6mm



DG127AA-5.0
DG127AA-5.08



Pitch:5.0mm,5.08mm;Poles:2*(2P,3P~24P)

● **Material**

Screws : M2.5 steel Zinc plated
Pin header : Brass, Tin plated
Housing : PA66, UL94V-0

● **Electrical**

Rated voltage : 300V
Rated current : 12A
Contact resistance : 20mΩ
Insulation resistance: 5000MΩ /DC1000V
Withstanding voltage: AC2000V/1Min
Wire range : 26-14AWG 1.5mm²

● **Mechanical**

Temp.Range : -40°C~+105°C
Torque : 0.4Nm(3.6lb.in)
Strip length : 5-6mm

● **材质及电镀**

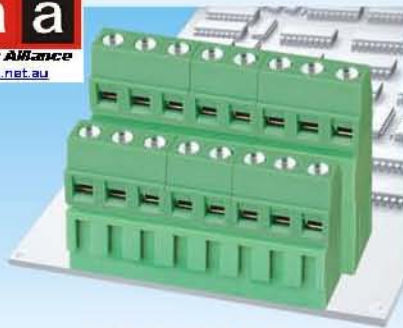
螺丝 : M2.5, 钢, 镀锌
焊针 : 黄铜, 镀锡
塑件 : PA66, UL94V-0

● **电气性能**

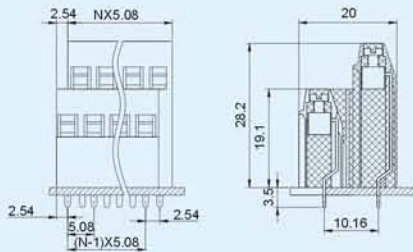
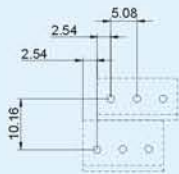
额定电压 : 300V
额定电流 : 12A
接触电阻 : 20mΩ
绝缘电阻 : 5000MΩ /DC1000V
耐电压 : AC2000V/1Min
使用线径 : 26-14AWG 1.5mm²

● **机械性能**

温度范围 : -40°C~+105°C
扭矩 : 0.4Nm(3.6lb.in)
剥线长度 : 5-6mm



DG127BB-5.0
DG127BB-5.08



Pitch: 5.0mm, 5.08mm; Poles: 2* (2P, 3P~24P)

Material

Screws : M2.5 steel Zinc plated
Pin header : Brass, Tin plated
Housing : PA66, UL94V-0

Electrical

Rated voltage : 300V
Rated current : 12A
Contact resistance : 20mΩ
Insulation resistance: 5000MΩ / DC1000V
Withstanding voltage: AC2000V/1Min
Wire range : 26-14AWG 1.5mm²

Mechanical

Temp. Range : -40°C~+105°C
Torque : 0.4Nm(3.6lb.in)
Strip length : 5-6mm

材质及电镀

螺丝 : M2.5, 钢, 镀锌
焊针 : 黄铜, 镀锡
塑件 : PA66, UL94V-0

电气性能

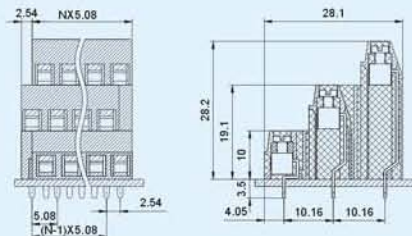
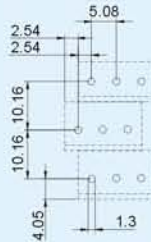
额定电压 : 300V
额定电流 : 12A
接触电阻 : 20mΩ
绝缘电阻 : 5000MΩ / DC1000V
耐电压 : AC2000V/1Min
使用线径 : 26-14AWG 1.5mm²

机械性能

温度范围 : -40°C~+105°C
扭矩 : 0.4Nm(3.6lb.in)
剥线长度 : 5-6mm



DG127A3-5.0
DG127A3-5.08



Pitch: 5.0mm, 5.08mm; Poles: 3* (2P, 3P~24P)

Material

Screws : M2.5 steel Zinc plated
Pin header : Brass, Tin plated
Housing : PA66, UL94V-0

Electrical

Rated voltage : 300V
Rated current : 12A
Contact resistance : 20mΩ
Insulation resistance: 5000MΩ / DC1000V
Withstanding voltage: AC2000V/1Min
Wire range : 26-14AWG 1.5mm²

Mechanical

Temp. Range : -40°C~+105°C
Torque : 0.4Nm(3.6lb.in)
Strip length : 5-6mm

材质及电镀

螺丝 : M2.5, 钢, 镀锌
焊针 : 黄铜, 镀锡
塑件 : PA66, UL94V-0

电气性能

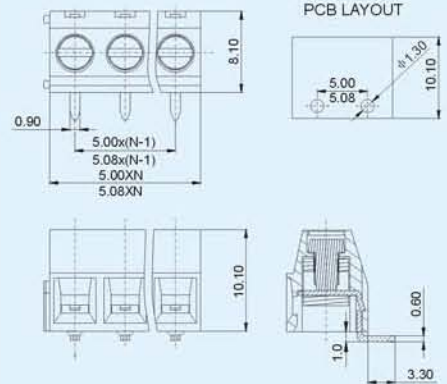
额定电压 : 300V
额定电流 : 12A
接触电阻 : 20mΩ
绝缘电阻 : 5000MΩ / DC1000V
耐电压 : AC2000V/1Min
使用线径 : 26-14AWG 1.5mm²

机械性能

温度范围 : -40°C~+105°C
扭矩 : 0.4Nm(3.6lb.in)
剥线长度 : 5-6mm



DG127R-5.0
DG127R-5.08



Pitch: 5.0mm, 5.08mm; Poles: 2P, 3P~24P

Material

Screws : M2.5 steel Zinc plated
Pin header : Brass, Tin plated
Housing : PA66, UL94V-0

Electrical

Rated voltage : 300V
Rated current : 12A
Contact resistance : 20mΩ
Insulation resistance: 5000MΩ / DC1000V
Withstanding voltage: AC2000V/1Min
Wire range : 26-14AWG 1.5mm²

Mechanical

Temp. Range : -40°C~+105°C
Torque : 0.4Nm(3.6lb.in)
Strip length : 5-6mm

材质及电镀

螺丝 : M2.5, 钢, 镀锌
焊针 : 黄铜, 镀锡
塑件 : PA66, UL94V-0

电气性能

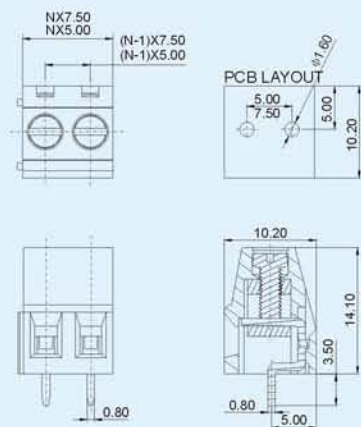
额定电压 : 300V
额定电流 : 12A
接触电阻 : 20mΩ
绝缘电阻 : 5000MΩ / DC1000V
耐电压 : AC2000V/1Min
使用线径 : 26-14AWG 1.5mm²

机械性能

温度范围 : -40°C~+105°C
扭矩 : 0.4Nm(3.6lb.in)
剥线长度 : 5-6mm



DG128-5.0
DG128-7.5



Pitch:5.0mm,7.5mm;Poles:2P,3P~24P

● **Material**

Screws : M2.5 steel Zinc plated
Pin header : Brass, Tin plated
Housing : PA66, UL94V-0

● **Electrical**

Rated voltage : 300V
Rated current : 10A
Contact resistance : 20m Ω
Insulation resistance: 5000M Ω /DC1000V
Withstanding voltage: AC2000V/1Min
Wire range : 24-12AWG 2.5mm²

● **Mechanical**

Temp.Range : -40°C~+105°C
Torque : 0.4Nm(3.6lb.in)
Strip length : 6-7mm

● **材质及电镀**

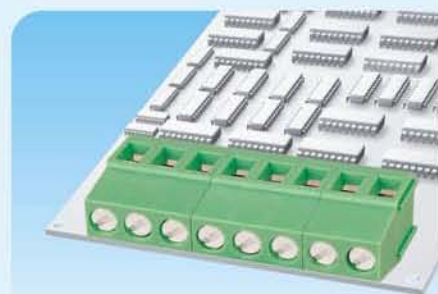
螺丝 : M2.5, 钢, 镀锌
焊针 : 黄铜, 镀锡
塑件 : PA66, UL94V-0

● **电气性能**

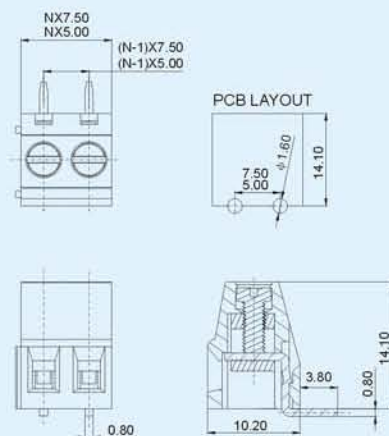
额定电压 : 300V
额定电流 : 10A
接触电阻 : 20m Ω
绝缘电阻 : 5000M Ω /DC1000V
耐电压 : AC2000V/1Min
使用线径 : 24-12AWG 2.5mm²

● **机械性能**

温度范围 : -40°C~+105°C
扭矩 : 0.4Nm(3.6lb.in)
剥线长度 : 6-7mm



DG128R-5.0
DG128R-7.5



Pitch:5.0mm,7.5mm;Poles:2P,3P~24P

● **Material**

Screws : M2.5 steel Zinc plated
Pin header : Brass, Tin plated
Housing : PA66, UL94V-0

● **Electrical**

Rated voltage : 300V
Rated current : 10A
Contact resistance : 20m Ω
Insulation resistance: 5000M Ω /DC1000V
Withstanding voltage: AC2000V/1Min
Wire range : 24-12AWG 2.5mm²

● **Mechanical**

Temp.Range : -40°C~+105°C
Torque : 0.4Nm(3.6lb.in)
Strip length : 6-7mm

● **材质及电镀**

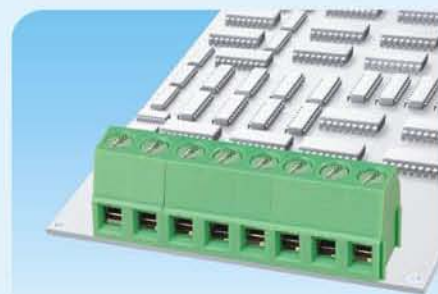
螺丝 : M2.5, 钢, 镀锌
焊针 : 黄铜, 镀锡
塑件 : PA66, UL94V-0

● **电气性能**

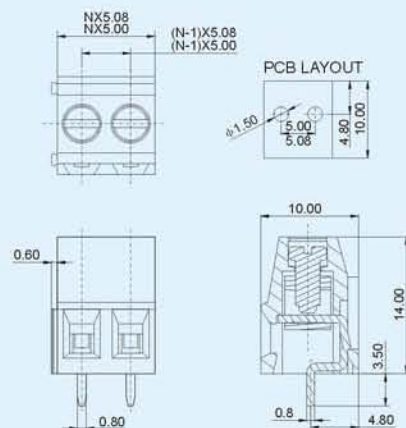
额定电压 : 300V
额定电流 : 10A
接触电阻 : 20m Ω
绝缘电阻 : 5000M Ω /DC1000V
耐电压 : AC2000V/1Min
使用线径 : 24-12AWG 2.5mm²

● **机械性能**

温度范围 : -40°C~+105°C
扭矩 : 0.4Nm(3.6lb.in)
剥线长度 : 6-7mm



DG500-5.0
DG500-5.08



Pitch:5.0mm,5.08mm;Poles:2P,3P~24P

● **Material**

Screws : M2.5 steel Zinc plated
Pin header : Brass, Tin plated
Housing : PA66, UL94V-0

● **Electrical**

Rated voltage : 300V
Rated current : 10A
Contact resistance : 20m Ω
Insulation resistance: 5000M Ω /DC1000V
Withstanding voltage: AC2000V/1Min
Wire range : 24-12AWG 2.5mm²

● **Mechanical**

Temp.Range : -40°C~+105°C
Torque : 0.4Nm(3.6lb.in)
Strip length : 6-7mm

● **材质及电镀**

螺丝 : M2.5, 钢, 镀锌
焊针 : 黄铜, 镀锡
塑件 : PA66, UL94V-0

● **电气性能**

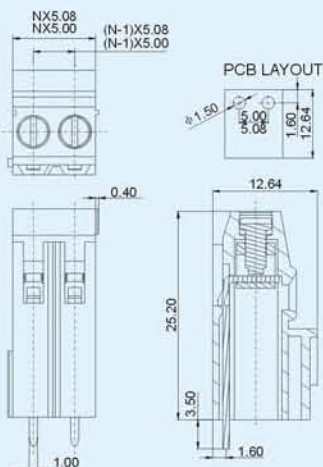
额定电压 : 300V
额定电流 : 10A
接触电阻 : 20m Ω
绝缘电阻 : 5000M Ω /DC1000V
耐电压 : AC2000V/1Min
使用线径 : 24-12AWG 2.5mm²

● **机械性能**

温度范围 : -40°C~+105°C
扭矩 : 0.4Nm(3.6lb.in)
剥线长度 : 6-7mm



DG500H-5.0
DG500H-5.08



Pitch: 5.0mm, 5.08mm; Poles: 2P, 3P~24P

Material

Screws : M2.5 steel Zinc plated
Pin header : Brass, Tin plated
Housing : PA66, UL94V-0

Electrical

Rated voltage : 300V
Rated current : 20A
Contact resistance : 20mΩ
Insulation resistance: 5000MΩ/DC1000V
Withstanding voltage: AC2000V/1Min
Wire range : 28-12AWG 2.5mm²

Mechanical

Temp. Range : -40°C~+105°C
Torque : 0.4Nm(3.6lb.in)
Strip length : 6-7mm

材质及电镀

螺丝 : M2.5, 钢, 镀锌
焊针 : 黄铜, 镀锡
塑件 : PA66, UL94V-0

电气性能

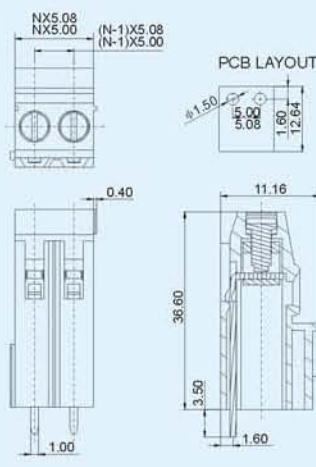
额定电压 : 300V
额定电流 : 20A
接触电阻 : 20mΩ
绝缘电阻 : 5000MΩ/DC1000V
耐电压 : AC2000V/1Min
使用线径 : 28-12AWG 2.5mm²

机械性能

温度范围 : -40°C~+105°C
扭矩 : 0.4Nm(3.6lb.in)
剥线长度 : 6-7mm



DG500HH-5.0
DG500HH-5.08



Pitch: 5.0mm, 5.08mm; Poles: 2P, 3P~24P

Material

Screws : M2.5 steel Zinc plated
Pin header : Brass, Tin plated
Housing : PA66, UL94V-0

Electrical

Rated voltage : 300V
Rated current : 20A
Contact resistance : 20mΩ
Insulation resistance: 5000MΩ/DC1000V
Withstanding voltage: AC2000V/1Min
Wire range : 28-12AWG 2.5mm²

Mechanical

Temp. Range : -40°C~+105°C
Torque : 0.4Nm(3.6lb.in)
Strip length : 6-7mm

材质及电镀

螺丝 : M2.5, 钢, 镀锌
焊针 : 黄铜, 镀锡
塑件 : PA66, UL94V-0

电气性能

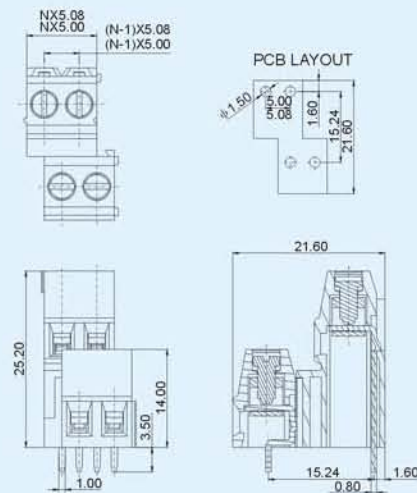
额定电压 : 300V
额定电流 : 20A
接触电阻 : 20mΩ
绝缘电阻 : 5000MΩ/DC1000V
耐电压 : AC2000V/1Min
使用线径 : 28-12AWG 2.5mm²

机械性能

温度范围 : -40°C~+105°C
扭矩 : 0.4Nm(3.6lb.in)
剥线长度 : 6-7mm



DG500A-5.0
DG500A-5.08



Pitch: 5.0mm, 5.08mm; Poles: 2*(2P, 3P~24P)

Material

Screws : M2.5 steel Zinc plated
Pin header : Brass, Tin plated
Housing : PA66, UL94V-0

Electrical

Rated voltage : 300V
Rated current : 10A
Contact resistance : 20mΩ
Insulation resistance: 5000MΩ/DC1000V
Withstanding voltage: AC2000V/1Min
Wire range : 24-12AWG 2.5mm²

Mechanical

Temp. Range : -40°C~+105°C
Torque : 0.4Nm(3.6lb.in)
Strip length : 6-7mm

材质及电镀

螺丝 : M2.5, 钢, 镀锌
焊针 : 黄铜, 镀锡
塑件 : PA66, UL94V-0

电气性能

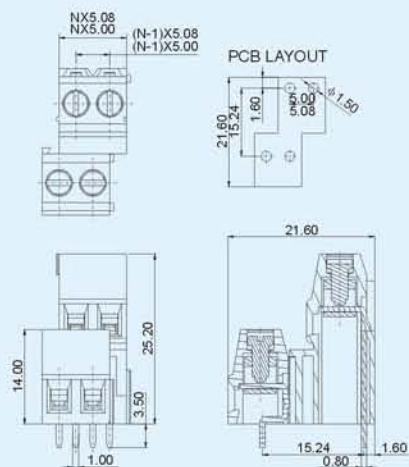
额定电压 : 300V
额定电流 : 10A
接触电阻 : 20mΩ
绝缘电阻 : 5000MΩ/DC1000V
耐电压 : AC2000V/1Min
使用线径 : 24-12AWG 2.5mm²

机械性能

温度范围 : -40°C~+105°C
扭矩 : 0.4Nm(3.6lb.in)
剥线长度 : 6-7mm



DG500B-5.0
DG500B-5.08



Pitch: 5.0mm, 5.08mm
Poles: 2*(2P, 3P~24P)

● **Material**

Screws : M2.5 steel Zinc plated
Pin header : Brass, Tin plated
Housing : PA66, UL94V-0

● **Electrical**

Rated voltage : 300V
Rated current : 10A
Contact resistance : 20mΩ
Insulation resistance: 5000MΩ/DC1000V
Withstanding voltage: AC2000V/1Min
Wire range : 24-12AWG 2.5mm²

● **Mechanical**

Temp. Range : -40°C~+105°C
Torque : 0.4Nm(3.6lb.in)
Strip length : 6-7mm

● **材质及电镀**

螺丝 : M2.5, 钢, 镀锌
焊针 : 黄铜, 镀锡
塑件 : PA66, UL94V-0

● **电气性能**

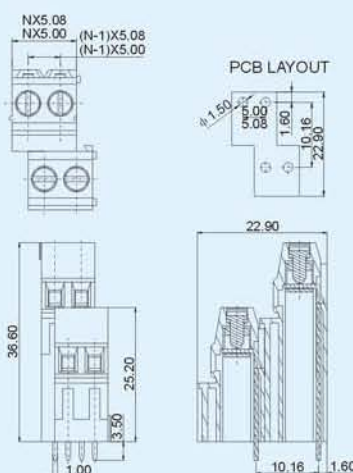
额定电压 : 300V
额定电流 : 10A
接触电阻 : 20mΩ
绝缘电阻 : 5000MΩ/DC1000V
耐电压 : AC2000V/1Min
使用线径 : 24-12AWG 2.5mm²

● **机械性能**

温度范围 : -40°C~+105°C
扭矩 : 0.4Nm(3.6lb.in)
剥线长度 : 6-7mm



DG500AA-5.0
DG500AA-5.08



Pitch: 5.0mm, 5.08mm
Poles: 2*(2P, 3P~24P)

● **Material**

Screws : M2.5 steel Zinc plated
Pin header : Brass, Tin plated
Housing : PA66, UL94V-0

● **Electrical**

Rated voltage : 300V
Rated current : 20A
Contact resistance : 20mΩ
Insulation resistance: 5000MΩ/DC1000V
Withstanding voltage: AC2000V/1Min
Wire range : 28-12AWG 2.5mm²

● **Mechanical**

Temp. Range : -40°C~+105°C
Torque : 0.4Nm(3.6lb.in)
Strip length : 6-7mm

● **材质及电镀**

螺丝 : M2.5, 钢, 镀锌
焊针 : 黄铜, 镀锡
塑件 : PA66, UL94V-0

● **电气性能**

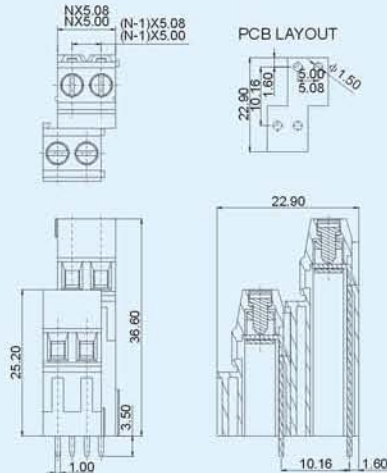
额定电压 : 300V
额定电流 : 20A
接触电阻 : 20mΩ
绝缘电阻 : 5000MΩ/DC1000V
耐电压 : AC2000V/1Min
使用线径 : 28-12AWG 2.5mm²

● **机械性能**

温度范围 : -40°C~+105°C
扭矩 : 0.4Nm(3.6lb.in)
剥线长度 : 6-7mm



DG500BB-5.0
DG500BB-5.08



Pitch: 5.0mm, 5.08mm
Poles: 2*(2P, 3P~24P)

● **Material**

Screws : M2.5 steel Zinc plated
Pin header : Brass, Tin plated
Housing : PA66, UL94V-0

● **Electrical**

Rated voltage : 300V
Rated current : 20A
Contact resistance : 20mΩ
Insulation resistance: 5000MΩ/DC1000V
Withstanding voltage: AC2000V/1Min
Wire range : 28-12AWG 2.5mm²

● **Mechanical**

Temp. Range : -40°C~+105°C
Torque : 0.4Nm(3.6lb.in)
Strip length : 6-7mm

● **材质及电镀**

螺丝 : M2.5, 钢, 镀锌
焊针 : 黄铜, 镀锡
塑件 : PA66, UL94V-0

● **电气性能**

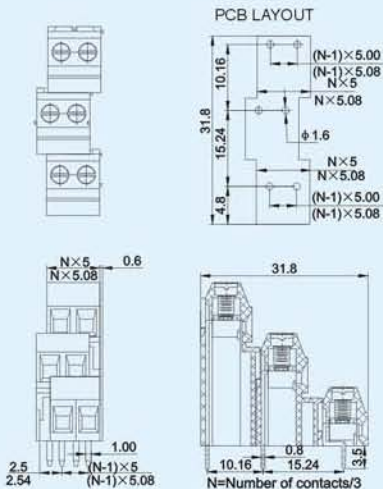
额定电压 : 300V
额定电流 : 20A
接触电阻 : 20mΩ
绝缘电阻 : 5000MΩ/DC1000V
耐电压 : AC2000V/1Min
使用线径 : 28-12AWG 2.5mm²

● **机械性能**

温度范围 : -40°C~+105°C
扭矩 : 0.4Nm(3.6lb.in)
剥线长度 : 6-7mm



DG500A3-5.0
DG500A3-5.08



Pitch: 5.0mm, 5.08mm
Poles: 3*(2P, 3P~24P)

Material

Screws : M2.5 steel Zinc plated
Pin header : Brass, Tin plated
Housing : PA66, UL94V-0

Electrical

Rated voltage : 300V
Rated current : 10A
Contact resistance : 20mΩ
Insulation resistance: 5000MΩ / DC1000V
Withstanding voltage: AC2000V/1Min
Wire range : 24-12AWG 2.5mm²

Mechanical

Temp. Range : -40°C~+105°C
Torque : 0.4Nm(3.6lb.in)
Strip length : 6-7mm

材质及电镀

螺丝 : M2.5, 钢, 镀锌
焊针 : 黄铜, 镀锡
塑件 : PA66, UL94V-0

电气性能

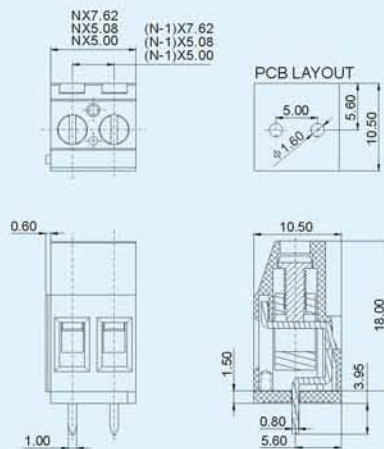
额定电压 : 300V
额定电流 : 10A
接触电阻 : 20mΩ
绝缘电阻 : 5000MΩ / DC1000V
耐电压 : AC2000V / 1Min
使用线径 : 24-12AWG 2.5mm²

机械性能

温度范围 : -40°C~+105°C
扭矩 : 0.4Nm(3.6lb.in)
剥线长度 : 6-7mm



DG129-5.0 **DG129-5.08**
DG129-7.5 **DG129-7.62**



Pitch: 5.0mm, 5.08mm, 7.5mm, 7.62mm
Poles: 2P, 3P~24P

Material

Screws : M3 steel Zinc plated
Pin header : Brass, Tin plated
Housing : PA66, UL94V-0

Electrical

Rated voltage : 300V
Rated current : 20A
Contact resistance : 20mΩ
Insulation resistance: 5000MΩ / DC1000V
Withstanding voltage: AC2000V/1Min
Wire range : 26-12AWG 2.5mm²

Mechanical

Temp. Range : -40°C~+105°C
Torque : 0.5Nm(4.5lb.in)
Strip length : 6-7mm

材质及电镀

螺丝 : M3, 钢, 镀锌
焊针 : 黄铜, 镀锡
塑件 : PA66, UL94V-0

电气性能

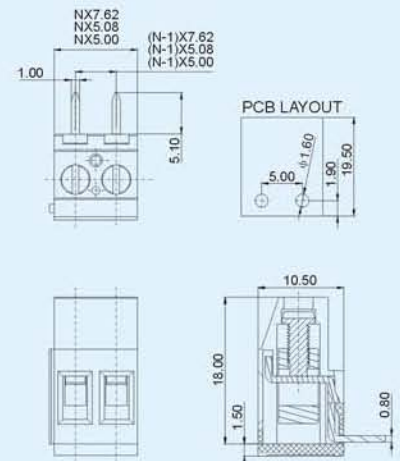
额定电压 : 300V
额定电流 : 20A
接触电阻 : 20mΩ
绝缘电阻 : 5000MΩ / DC1000V
耐电压 : AC2000V / 1Min
使用线径 : 26-12AWG 2.5mm²

机械性能

温度范围 : -40°C~+105°C
扭矩 : 0.5Nm(4.5lb.in)
剥线长度 : 6-7mm



DG129R-5.0 **DG129R-5.08**
DG129R-7.5 **DG129R-7.62**



Pitch: 5.0mm, 5.08mm, 7.5mm, 7.62mm
Poles: 2P, 3P~24P

Material

Screws : M3 steel Zinc plated
Pin header : Brass, Tin plated
Housing : PA66, UL94V-0

Electrical

Rated voltage : 300V
Rated current : 20A
Contact resistance : 20mΩ
Insulation resistance: 5000MΩ / DC1000V
Withstanding voltage: AC2000V/1Min
Wire range : 26-12AWG 2.5mm²

Mechanical

Temp. Range : -40°C~+105°C
Torque : 0.5Nm(4.5lb.in)
Strip length : 6-7mm

材质及电镀

螺丝 : M3, 钢, 镀锌
焊针 : 黄铜, 镀锡
塑件 : PA66, UL94V-0

电气性能

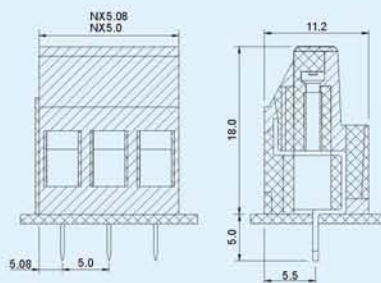
额定电压 : 300V
额定电流 : 20A
接触电阻 : 20mΩ
绝缘电阻 : 5000MΩ / DC1000V
耐电压 : AC2000V / 1Min
使用线径 : 26-12AWG 2.5mm²

机械性能

温度范围 : -40°C~+105°C
扭矩 : 0.5Nm(4.5lb.in)
剥线长度 : 6-7mm



DG130-5.0 DG130-5.08
DG130-7.5 DG130-7.62



PCB LAYOUT

Pitch: 5.0mm, 5.08mm, 7.5mm, 7.62mm;
Poles: 2P~24P

Material

Screws : M3 steel Zinc plated
Pin header : Brass, Tin plated
Housing : PA66, UL94V-0

Electrical

Rated voltage : 300V
Rated current : 24A
Contact resistance : 20mΩ
Insulation resistance: 5000MΩ/DC1000V
Withstanding voltage: AC2000V/1Min
Wire range : 24-12AWG 2.5mm²

Mechanical

Temp. Range : -40°C~+105°C
Torque : 0.5Nm(4.5lb.in)
Strip length : 6~7mm

材质及电镀

螺丝 : M3, 钢, 镀锌
焊针 : 黄铜, 镀锡
塑件 : PA66, UL94V-0

电气性能

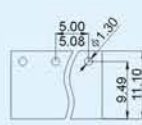
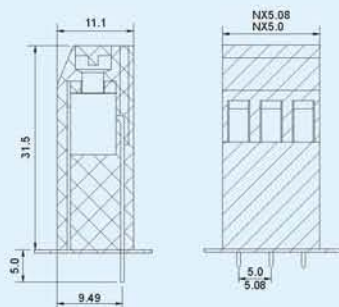
额定电压 : 300V
额定电流 : 24A
接触电阻 : 20mΩ
绝缘电阻 : 5000MΩ/DC1000V
耐电压 : AC2000V/1Min
使用线径 : 24-12AWG 2.5mm²

机械性能

温度范围 : -40°C~+105°C
扭矩 : 0.5Nm(4.5lb.in)
剥线长度 : 7mm



DG130H-5.0
DG130H-5.08



PCB LAYOUT

Pitch: 5.0mm, 5.08mm; Poles: 2P~24P

Material

Screws : M3 steel Zinc plated
Pin header : Brass, Tin plated
Housing : PA66, UL94V-0

Electrical

Rated voltage : 300V
Rated current : 24A
Contact resistance : 20mΩ
Insulation resistance: 5000MΩ/DC1000V
Withstanding voltage: AC1500V/1Min
Wire range : 24-12AWG 2.5mm²

Mechanical

Temp. Range : -40°C~+105°C
Torque : 0.5Nm(4.5lb.in)
Strip length : 6~7mm

材质及电镀

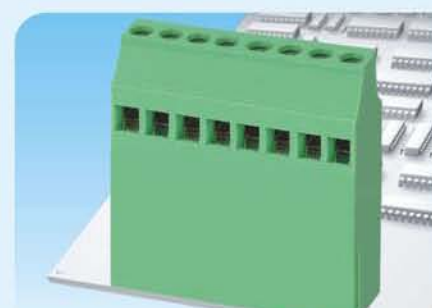
螺丝 : M3, 钢, 镀锌
焊针 : 黄铜, 镀锡
塑件 : PA66, UL94V-0

电气性能

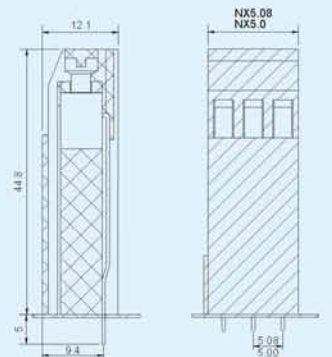
额定电压 : 300V
额定电流 : 24A
接触电阻 : 20mΩ
绝缘电阻 : 5000MΩ/DC1000V
耐电压 : AC2000V/1Min
使用线径 : 24-12AWG 2.5mm²

机械性能

温度范围 : -40°C~+105°C
扭矩 : 0.5Nm(4.5lb.in)
剥线长度 : 7mm



DG130HH-5.0
DG130HH-5.08



PCB LAYOUT

Pitch: 5.0mm, 5.08mm; Poles: 2P~24P

Material

Screws : M3 steel Zinc plated
Pin header : Brass, Tin plated
Housing : PA66, UL94V-0

Electrical

Rated voltage : 300V
Rated current : 24A
Contact resistance : 20mΩ
Insulation resistance: 5000MΩ/DC1000V
Withstanding voltage: AC2000V/1Min
Wire range : 24-12AWG 2.5mm²

Mechanical

Temp. Range : -40°C~+105°C
Torque : 0.5Nm(4.5lb.in)
Strip length : 8-9mm

材质及电镀

螺丝 : M3, 钢, 镀锌
焊针 : 黄铜, 镀锡
塑件 : PA66, UL94V-0

电气性能

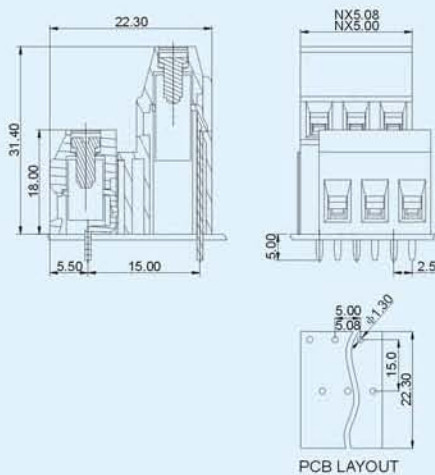
额定电压 : 300V
额定电流 : 24A
接触电阻 : 20mΩ
绝缘电阻 : 5000MΩ/DC1000V
耐电压 : AC2000V/1Min
使用线径 : 24-12AWG 2.5mm²

机械性能

温度范围 : -40°C~+105°C
扭矩 : 0.5Nm(4.5lb.in)
剥线长度 : 8-9mm



DG130A-5.0
DG130A-5.08



Pitch: 5.0mm, 5.08mm; Poles: 2*(2P~24P)

● **Material**

Screws : M3 steel Zinc plated
Pin header : Brass, Tin plated
Housing : PA66, UL94V-0

● **Electrical**

Rated voltage : 300V
Rated current : 24A
Contact resistance : 20mΩ
Insulation resistance: 5000MΩ/DC1000V
Withstanding voltage: AC2000V/1Min
Wire range : 24-12AWG 2.5mm²

● **Mechanical**

Temp. Range : -40°C~+105°C
Torque : 0.5Nm(4.5lb.in)
Strip length : 8-9mm

● **材质及电镀**

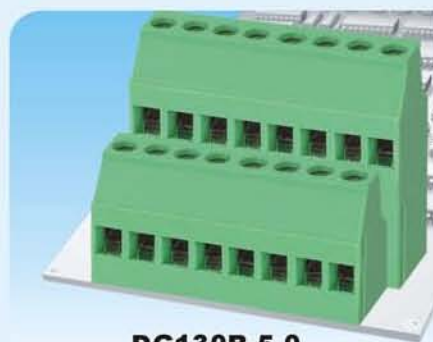
螺丝 : M3, 钢, 镀锌
焊针 : 黄铜, 镀锡
塑件 : PA66, UL94V-0

● **电气性能**

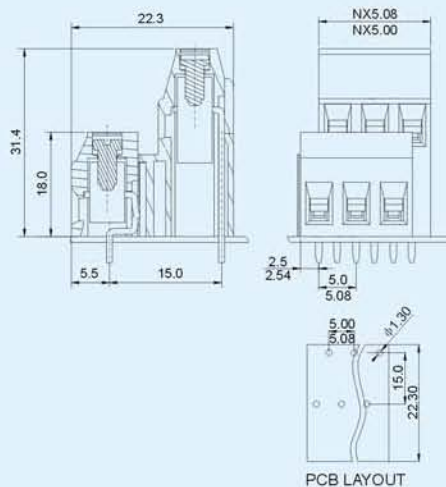
额定电压 : 300V
额定电流 : 24A
接触电阻 : 20mΩ
绝缘电阻 : 5000MΩ/DC1000V
耐电压 : AC2000V/1Min
使用线径 : 24-12AWG 2.5mm²

● **机械性能**

温度范围 : -40°C~+105°C
扭矩 : 0.5Nm(4.5lb.in)
剥线长度 : 8-9mm



DG130B-5.0
DG130B-5.08



Pitch: 5.0mm, 5.08mm; Poles: 2P~24P

● **Material**

Screws : M3 steel Zinc plated
Pin header : Brass, Tin plated
Housing : PA66, UL94V-0

● **Electrical**

Rated voltage : 300V
Rated current : 24A
Contact resistance : 20mΩ
Insulation resistance: 5000MΩ/DC1000V
Withstanding voltage: AC2000V/1Min
Wire range : 24-12AWG 2.5mm²

● **Mechanical**

Temp. Range : -40°C~+105°C
Torque : 0.5Nm(4.5lb.in)
Strip length : 8-9mm

● **材质及电镀**

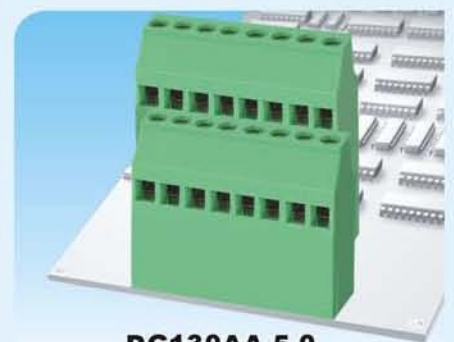
螺丝 : M3, 钢, 镀锌
焊针 : 黄铜, 镀锡
塑件 : PA66, UL94V-0

● **电气性能**

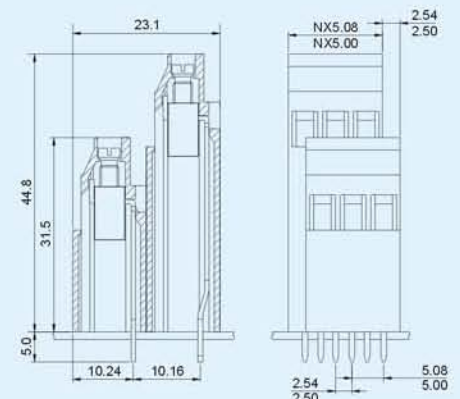
额定电压 : 300V
额定电流 : 24A
接触电阻 : 20mΩ
绝缘电阻 : 5000MΩ/DC1000V
耐电压 : AC2000V/1Min
使用线径 : 24-12AWG 2.5mm²

● **机械性能**

温度范围 : -40°C~+105°C
扭矩 : 0.5Nm(4.5lb.in)
剥线长度 : 8-9mm



DG130AA-5.0
DG130AA-5.08



Pitch: 5.0mm, 5.08mm; Poles: 2P~24P

● **Material**

Screws : M3 steel Zinc plated
Pin header : Brass, Tin plated
Housing : PA66, UL94V-0

● **Electrical**

Rated voltage : 300V
Rated current : 24A
Contact resistance : 20mΩ
Insulation resistance: 5000MΩ/DC1000V
Withstanding voltage: AC2000V/1Min
Wire range : 24-12AWG 2.5mm²

● **Mechanical**

Temp. Range : -40°C~+105°C
Torque : 0.5Nm(4.5lb.in)
Strip length : 8-9mm

● **材质及电镀**

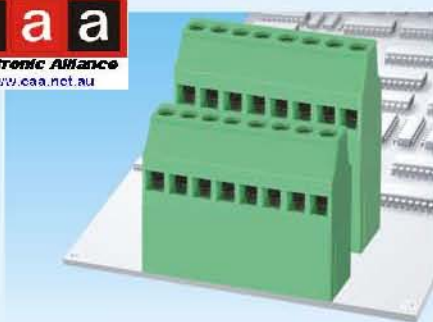
螺丝 : M3, 钢, 镀锌
焊针 : 黄铜, 镀锡
塑件 : PA66, UL94V-0

● **电气性能**

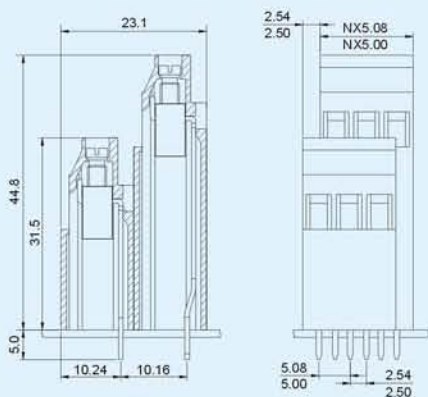
额定电压 : 300V
额定电流 : 24A
接触电阻 : 20mΩ
绝缘电阻 : 5000MΩ/DC1000V
耐电压 : AC2000V/1Min
使用线径 : 24-12AWG 2.5mm²

● **机械性能**

温度范围 : -40°C~+105°C
扭矩 : 0.5Nm(4.5lb.in)
剥线长度 : 8-9mm



DG130BB-5.0
DG130BB-5.08



Pitch: 5.0mm, 5.08mm; Poles: 2P~24P

● **Material**

Screws : M3 steel Zinc plated
Pin header : Brass, Tin plated
Housing : PA66, UL94V-0

● **Electrical**

Rated voltage : 300V
Rated current : 24A
Contact resistance : 20m Ω
Insulation resistance: 5000M Ω /DC1000V
Withstanding voltage: AC2000V/1Min
Wire range : 24-12AWG 2.5mm²

● **Mechanical**

Temp. Range : -40°C~+105°C
Torque : 0.5Nm(4.5lb.in)
Strip length : 8-9mm

● **材质及电镀**

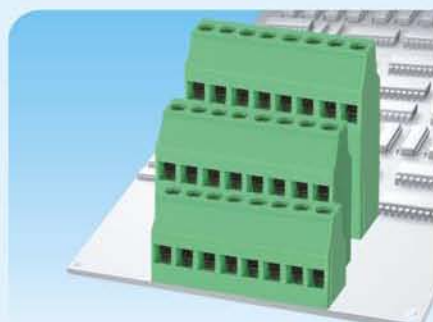
螺丝 : M3, 钢, 镀锌
焊针 : 黄铜, 镀锡
塑件 : PA66, UL94V-0

● **电气性能**

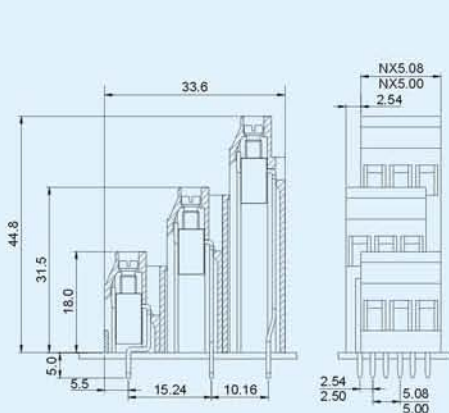
额定电压 : 300V
额定电流 : 24A
接触电阻 : 20m Ω
绝缘电阻 : 5000M Ω /DC1000V
耐电压 : AC2000V/1Min
使用线径 : 24-12AWG 2.5mm²

● **机械性能**

温度范围 : -40°C~+105°C
扭矩 : 0.5Nm(4.5lb.in)
剥线长度 : 8-9mm



DG130A3-5.0
DG130A3-5.08



Pitch: 5.0mm, 5.08mm; Poles: 2P~24P

● **Material**

Screws : M3 steel Zinc plated
Pin header : Brass, Tin plated
Housing : PA66, UL94V-0

● **Electrical**

Rated voltage : 300V
Rated current : 24A
Contact resistance : 20m Ω
Insulation resistance: 5000m Ω /DC1000V
Withstanding voltage: AC2000V/1Min
Wire range : 24-12AWG 2.5mm²

● **Mechanical**

Temp. Range : -40°C~+105°C
Torque : 0.5Nm(4.5lb.in)
Strip length : 8-9mm

● **材质及电镀**

螺丝 : M3, 钢, 镀锌
焊针 : 黄铜, 镀锡
塑件 : PA66, UL94V-0

● **电气性能**

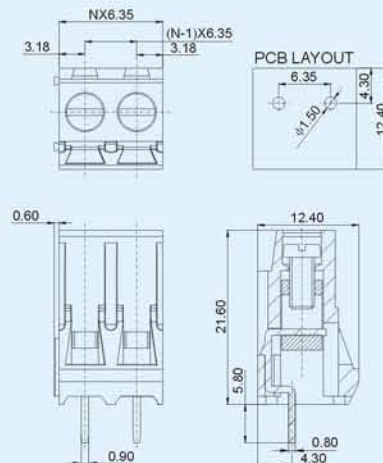
额定电压 : 300V
额定电流 : 24A
接触电阻 : 20m Ω
绝缘电阻 : 5000m Ω /DC1000V
耐电压 : AC2000V/1Min
使用线径 : 24-12AWG 2.5mm²

● **机械性能**

温度范围 : -40°C~+105°C
扭矩 : 0.5Nm(4.5lb.in)
剥线长度 : 8-9mm



DG635-6.35



Pitch: 6.35mm; Poles: 2P, 3P~24P

● **Material**

Screws : M3 steel Zinc plated
Pin header : Brass, Tin plated
Housing : PA66, UL94V-0

● **Electrical**

Rated voltage : 300V
Rated current : 30A
Contact resistance : 20m Ω
Insulation resistance: 5000M Ω /DC1000V
Withstanding voltage: AC2000V/1Min
Wire range : 26-10AWG 4mm²

● **Mechanical**

Temp. Range : -40°C~+105°C
Torque : 0.5Nm(4.5lb.in)
Strip length : 6-7mm

● **材质及电镀**

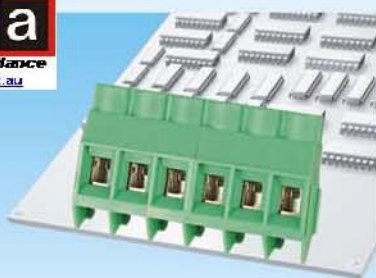
螺丝 : M3, 钢, 镀锌
焊针 : 黄铜, 镀锡
塑件 : PA66, UL94V-0

● **电气性能**

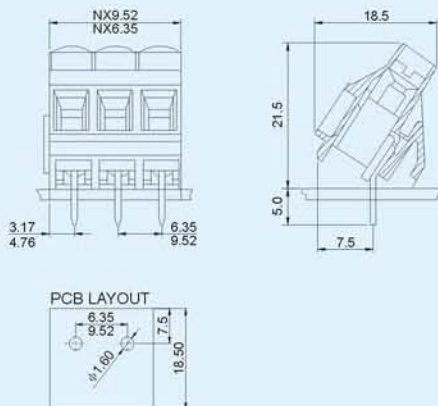
额定电压 : 300V
额定电流 : 30A
接触电阻 : 20m Ω
绝缘电阻 : 5000M Ω /DC1000V
耐电压 : AC2000V/1Min
使用线径 : 26-10AWG 4mm²

● **机械性能**

温度范围 : -40°C~+105°C
扭矩 : 0.5Nm(4.5lb.in)
剥线长度 : 6-7mm



DG636S-6.35
DG636S-9.5



Pitch: 6.35mm, 9.52mm; Poles: 2P, 3P~24P

Material

Screws : M3 steel Zinc plated
Pin header : Brass, Tin plated
Housing : PA66, UL94V-0

Electrical

Rated voltage : 300V
Rated current : 30A
Contact resistance : 20m Ω
Insulation resistance: 5000M Ω /DC1000V
Withstanding voltage: AC2000V/1Min
Wire range : 26-10AWG 4mm²

Mechanical

Temp. Range : -40°C~+105°C
Torque : 0.5Nm(4.5lb.in)
Strip length : 6-7mm

材质及电镀

螺丝 : M3, 钢, 镀锌
焊针 : 黄铜, 镀锡
塑件 : PA66, UL94V-0

电气性能

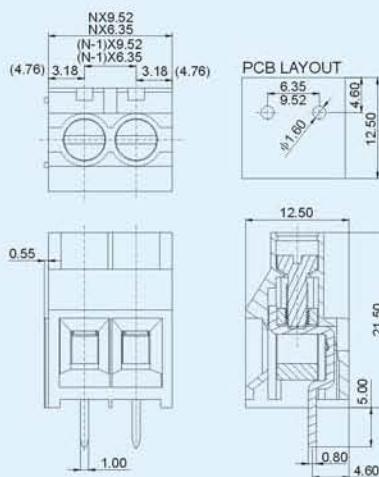
额定电压 : 300V
额定电流 : 30A
接触电阻 : 20m Ω
绝缘电阻 : 5000M Ω /DC1000V
耐电压 : AC2000V/1Min
使用线径 : 26-10AWG 4mm²

机械性能

温度范围 : -40°C~+105°C
扭矩 : 0.5Nm(4.5lb.in)
剥线长度 : 6-7mm



DG636-6.35
DG636-9.5



Pitch: 6.35mm, 9.52mm; Poles: 2P, 3P~24P

Material

Screws : M3 steel Zinc plated
Pin header : Brass, Tin plated
Housing : PA66, UL94V-0

Electrical

Rated voltage : 300V
Rated current : 30A
Contact resistance : 20m Ω
Insulation resistance: 5000M Ω /DC1000V
Withstanding voltage: AC2000V/1Min
Wire range : 26-10AWG 4mm²

Mechanical

Temp. Range : -40°C~+105°C
Torque : 0.5Nm(4.5lb.in)
Strip length : 6-7mm

材质及电镀

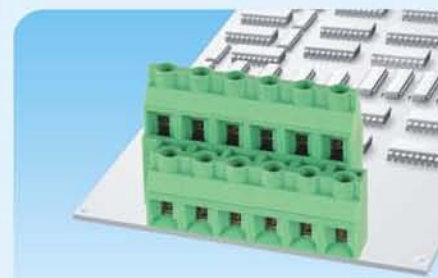
螺丝 : M3, 钢, 镀锌
焊针 : 黄铜, 镀锡
塑件 : PA66, UL94V-0

电气性能

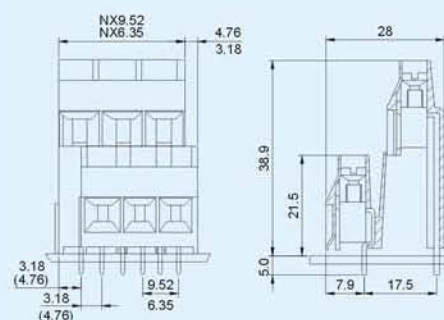
额定电压 : 300V
额定电流 : 30A
接触电阻 : 20m Ω
绝缘电阻 : 5000M Ω /DC1000V
耐电压 : AC2000V/1Min
使用线径 : 26-10AWG 4mm²

机械性能

温度范围 : -40°C~+105°C
扭矩 : 0.5Nm(4.5lb.in)
剥线长度 : 6-7mm



DG636A-6.35
DG636A-9.5



Pitch: 6.35mm, 9.5mm; Poles: 2P, 3P~24P

Material

Screws : M3 steel Zinc plated
Pin header : Brass, Tin plated
Housing : PA66, UL94V-0

Electrical

Rated voltage : 300V
Rated current : 30A
Contact resistance : 20m Ω
Insulation resistance: 5000M Ω /DC1000V
Withstanding voltage: AC2000V/1Min
Wire range : 26-10AWG 4mm²

Mechanical

Temp. Range : -40°C~+105°C
Torque : 0.5Nm(4.5lb.in)
Strip length : 6-7mm

材质及电镀

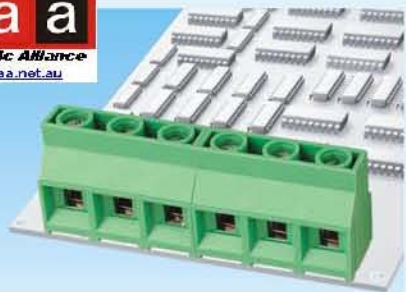
螺丝 : M3, 钢, 镀锌
焊针 : 黄铜, 镀锡
塑件 : PA66, UL94V-0

电气性能

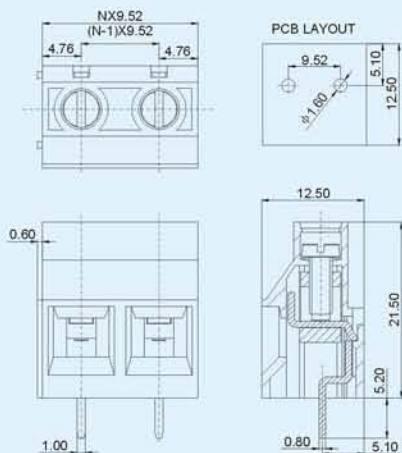
额定电压 : 300V
额定电流 : 30A
接触电阻 : 20m Ω
绝缘电阻 : 5000M Ω /DC1000V
耐电压 : AC2000V/1Min
使用线径 : 26-10AWG 4mm²

机械性能

温度范围 : -40°C~+105°C
扭矩 : 0.5Nm(4.5lb.in)
剥线长度 : 6-7mm



DG950-9.5



Pitch: 9.5mm; Poles: 2P, 3P~24P

Material

Screws : M3 steel Zinc plated
Pin header : Brass, Tin plated
Housing : PA66, UL94V-0

Electrical

Rated voltage : 300V
Rated current : 30A
Contact resistance : 20mΩ
Insulation resistance: 5000MΩ / DC1000V
Withstanding voltage: AC2000V/1Min
Wire range : 26-10AWG 4mm²

Mechanical

Temp. Range : -40°C~+105°C
Torque : 0.5Nm(4.5lb.in)
Strip length : 6-7mm

材质及电镀

螺丝 : M3, 钢, 镀锌
焊针 : 黄铜, 镀锡
塑件 : PA66, UL94V-0

电气性能

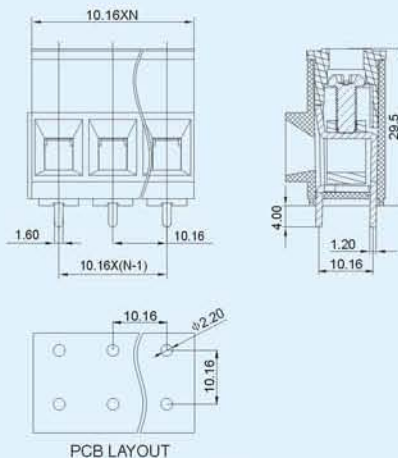
额定电压 : 300V
额定电流 : 30A
接触电阻 : 20mΩ
绝缘电阻 : 5000MΩ / DC1000V
耐电压 : AC2000V/1Min
使用线径 : 26-10AWG 4mm²

机械性能

温度范围 : -40°C~+105°C
扭矩 : 0.5Nm(4.5lb.in)
剥线长度 : 6-7mm



DG135T-10.16



Pitch: 10.16mm; Poles: 2P, 3P~24P

Material

Screws : M4 steel Zinc plated
Pin header : Copper, Tin plated
Housing : PA66, UL94V-0

Electrical

Rated voltage : 300V
Rated current : 52A
Contact resistance : 20mΩ
Insulation resistance: 5000MΩ / DC1000V
Withstanding voltage: AC3000V/1Min
Wire range : 20-6AWG 10.0mm²

Mechanical

Temp. Range : -40°C~+105°C
Torque : 1.2Nm(10.6lb.in)
Strip length : 10mm

材质及电镀

螺丝 : M4, 钢, 镀锌
焊针 : 紫铜, 镀锡
塑件 : PA66, UL94V-0

电气性能

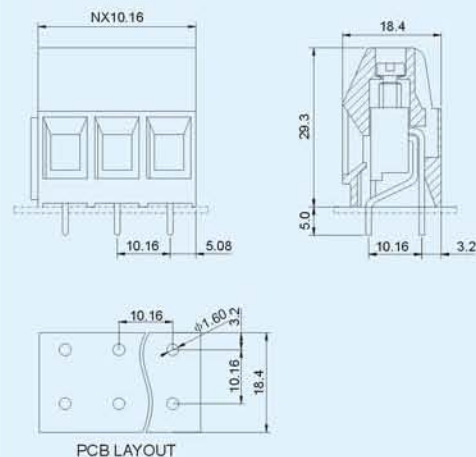
额定电压 : 300V
额定电流 : 52A
接触电阻 : 20mΩ
绝缘电阻 : 5000MΩ / DC1000V
耐电压 : AC3000V/1Min
使用线径 : 20-6AWG 10.0mm²

机械性能

温度范围 : -40°C~+105°C
扭矩 : 1.2Nm(10.6lb.in)
剥线长度 : 10mm



DG136T-10.16



Pitch: 10.16mm; Poles: 2P, 3P~24P

Material

Screws : M4 steel Zinc plated
Pin header : Copper, Tin plated
Housing : PA66, UL94V-0

Electrical

Rated voltage : 690V
Rated current : 57A
Contact resistance : 20mΩ
Insulation resistance: 5000MΩ / DC1000V
Withstanding voltage: AC3000V/1Min
Wire range : 20-6AWG 10.0mm²

Mechanical

Temp. Range : -40°C~+105°C
Torque : 1.2Nm(10.6lb.in)
Strip length : 10mm

材质及电镀

螺丝 : M4, 钢, 镀锌
焊针 : 紫铜, 镀锡
塑件 : PA66, UL94V-0

电气性能

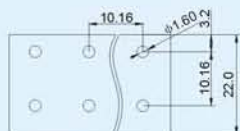
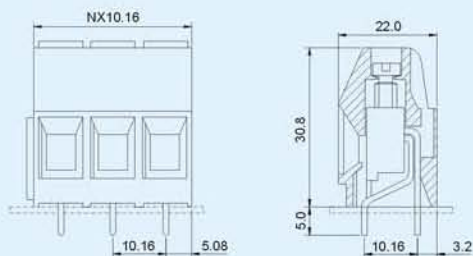
额定电压 : 690V
额定电流 : 57A
接触电阻 : 20mΩ
绝缘电阻 : 5000MΩ / DC1000V
耐电压 : AC3000V/1Min
使用线径 : 20-6AWG 10.0mm²

机械性能

温度范围 : -40°C~+105°C
扭矩 : 1.2Nm(10.6lb.in)
剥线长度 : 10mm



DG136HT-10.16



PCB LAYOUT

Pitch: 10.16mm; Poles: 2P, 3P~24P

Material

Screws : M4 steel Zinc plated
Pin header : Copper, Tin plated
Housing : PA66, UL94V-0

Electrical

Rated voltage : 690V
Rated current : 57A
Contact resistance : 20mΩ
Insulation resistance: 5000MΩ/DC1000V
Withstanding voltage: AC3000V/1Min
Wire range : 20-6AWG 10.0mm²

Mechanical

Temp. Range : -40°C~+105°C
Torque : 1.2Nm(10.6lb.in)
Strip length : 10mm

材质及电镀

螺丝 : M4, 钢, 镀锌
焊针 : 紫铜, 镀锡
塑件 : PA66, UL94V-0

电气性能

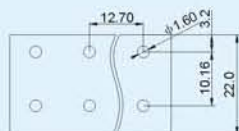
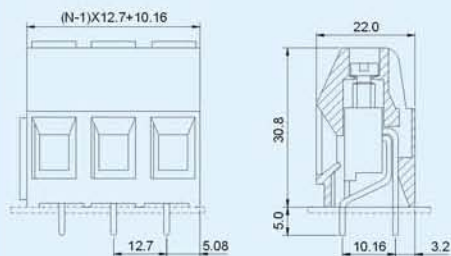
额定电压 : 690V
额定电流 : 57A
接触电阻 : 20mΩ
绝缘电阻 : 5000MΩ/DC1000V
耐电压 : AC3000V/1Min
使用线径 : 20-6AWG 10.0mm²

机械性能

温度范围 : -40°C~+105°C
扭矩 : 1.2Nm(10.6lb.in)
剥线长度 : 10mm



DG136HT-12.7



PCB LAYOUT

Pitch: 12.7mm; Poles: 2P, 3P~24P

Material

Screws : M4 steel Zinc plated
Pin header : Copper, Tin plated
Housing : PA66, UL94V-0

Electrical

Rated voltage : 690V
Rated current : 57A
Contact resistance : 20mΩ
Insulation resistance: 5000MΩ/DC1000V
Withstanding voltage: AC3000V/1Min
Wire range : 20-6AWG 10.0mm²

Mechanical

Temp. Range : -40°C~+105°C
Torque : 1.2Nm(10.6lb.in)
Strip length : 10mm

材质及电镀

螺丝 : M4, 钢, 镀锌
焊针 : 紫铜, 镀锡
塑件 : PA66, UL94V-0

电气性能

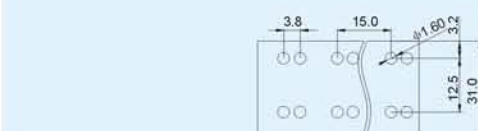
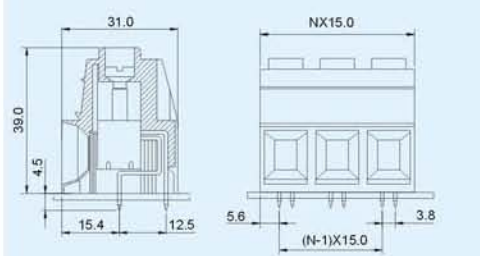
额定电压 : 690V
额定电流 : 57A
接触电阻 : 20mΩ
绝缘电阻 : 5000MΩ/DC1000V
耐电压 : AC3000V/1Min
使用线径 : 20-6AWG 10.0mm²

机械性能

温度范围 : -40°C~+105°C
扭矩 : 1.2Nm(10.6lb.in)
剥线长度 : 10mm



DG137T-15.0



PCB LAYOUT

Pitch: 15.0mm; Poles: 2P, 3P~24P

Material

Screws : M5 steel Zinc plated
Pin header : Copper, Tin plated
Housing : PA66, UL94V-0

Electrical

Rated voltage : 1000V
Rated current : 125A
Contact resistance : 20mΩ
Insulation resistance: 5000MΩ/DC1000V
Withstanding voltage: AC3000V/1Min
Wire range : 20-2AWG 25.0mm²

Mechanical

Temp. Range : -40°C~+105°C
Torque : 2.0Nm(17.54lb.in)
Strip length : 10mm

材质及电镀

螺丝 : M5, 钢, 镀锌
焊针 : 紫铜, 镀锡
塑件 : PA66, UL94V-0

电气性能

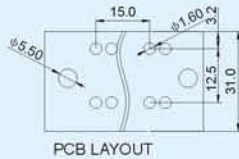
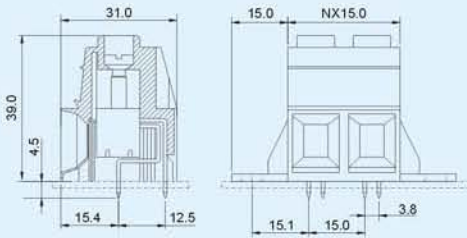
额定电压 : 1000V
额定电流 : 125A
接触电阻 : 20mΩ
绝缘电阻 : 5000MΩ/DC1000V
耐电压 : AC3000V/1Min
使用线径 : 20-2AWG 25.0mm²

机械性能

温度范围 : -40°C~+105°C
扭矩 : 2.0Nm(17.54lb.in)
剥线长度 : 10mm



DG137TM-15.0



Pitch: 15.0mm; Poles: 2P, 3P~24P

Material

Screws : M5 steel Zinc plated
Pin header : Copper, Tin plated
Housing : PA66, UL94V-0

Electrical

Rated voltage : 1000V
Rated current : 125A
Contact resistance : 20mΩ
Insulation resistance: 5000MΩ/DC1000V
Withstanding voltage: AC3000V/1Min
Wire range : 20-2AWG 25.0mm²

Mechanical

Temp. Range : -40°C~+105°C
Torque : 2.0Nm(17.54lb.in)
Strip length : 10mm

材质及电镀

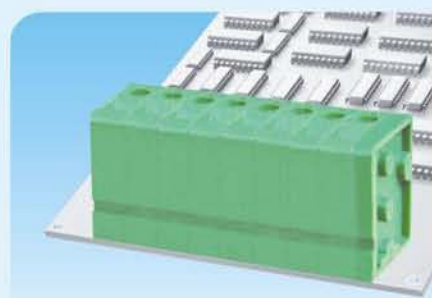
螺丝 : M5, 钢, 镀锌
焊针 : 紫铜, 镀锡
塑件 : PA66, UL94V-0

电气性能

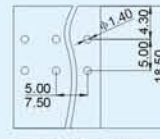
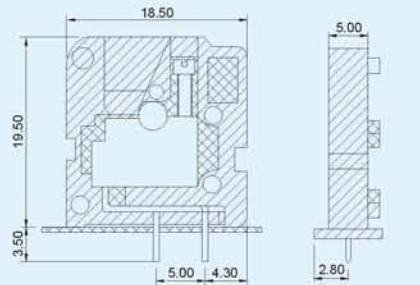
额定电压 : 1000V
额定电流 : 125A
接触电阻 : 20mΩ
绝缘电阻 : 5000MΩ/DC1000V
耐电压 : AC3000V/1Min
使用线径 : 20-2AWG 25.0mm²

机械性能

温度范围 : -40°C~+105°C
扭矩 : 2.0Nm(17.54lb.in)
剥线长度 : 10mm



**DG105V-5.0
DG105V-7.5**



Pitch: 5.0mm, 7.5mm; Poles: 1P~24P

Material

Screws : M2.5 steel Zinc plated
Pin header : Brass, Tin plated
Housing : PA66, UL94V-0

Electrical

Rated voltage : 300V
Rated current : 24A
Contact resistance : 20mΩ
Insulation resistance: 5000MΩ/DC1000V
Withstanding voltage: AC2000V/1Min
Wire range : 24-14AWG 2.5mm²

Mechanical

Temp. Range : -40°C~+105°C
Torque : 0.4Nm(3.6lb.in)
Strip length : 9-10mm

材质及电镀

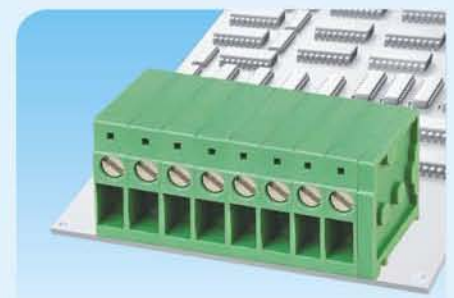
螺丝 : M2.5, 钢, 镀锌
焊针 : 黄铜, 镀锡
塑件 : PA66, UL94V-0

电气性能

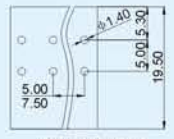
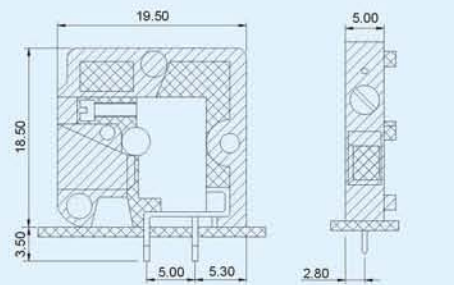
额定电压 : 300V
额定电流 : 24A
接触电阻 : 20mΩ
绝缘电阻 : 5000MΩ/DC1000V
耐电压 : AC2000V/1Min
使用线径 : 24-14AWG 2.5mm²

机械性能

温度范围 : -40°C~+105°C
扭矩 : 0.4Nm(3.6lb.in)
剥线长度 : 9-10mm



**DG105R-5.0
DG105R-7.5**



Pitch: 5.0mm, 7.5mm; Poles: 1P~24P

Material

Screws : M2.5 steel Zinc plated
Pin header : Brass, Tin plated
Housing : PA66, UL94V-0

Electrical

Rated voltage : 300V
Rated current : 24A
Contact resistance : 20mΩ
Insulation resistance: 5000MΩ/DC1000V
Withstanding voltage: AC2000V/1Min
Wire range : 24-14AWG 2.5mm²

Mechanical

Temp. Range : -40°C~+105°C
Torque : 0.4Nm(3.6lb.in)
Strip length : 9-10mm

材质及电镀

螺丝 : M2.5, 钢, 镀锌
焊针 : 黄铜, 镀锡
塑件 : PA66, UL94V-0

电气性能

额定电压 : 300V
额定电流 : 24A
接触电阻 : 20mΩ
绝缘电阻 : 5000MΩ/DC1000V
耐电压 : AC2000V/1Min
使用线径 : 24-14AWG 2.5mm²

机械性能

温度范围 : -40°C~+105°C
扭矩 : 0.4Nm(3.6lb.in)
剥线长度 : 9-10mm